

TY SERIES COMPACT 3-PHASE, 4-WIRE FILTERS

COMPONENTS

PART NO.	L (mH)	Cx (uF)	Cy (pF)
10TYG9	0.3	0.1	4700
20TYS9	0.15		22000

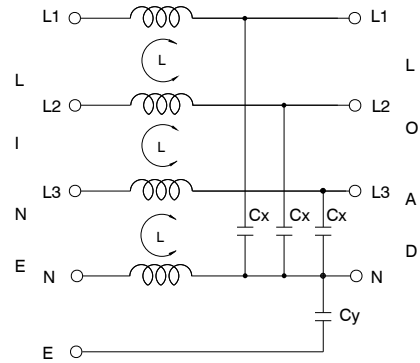
INTRODUCTIONS

1. Applications: Electric equipment, UPS, machine tool, copy machine, automation equipment, robot, AC motor drive
2. Voltage rating: 250VAC
3. Operating frequency: 50/60Hz

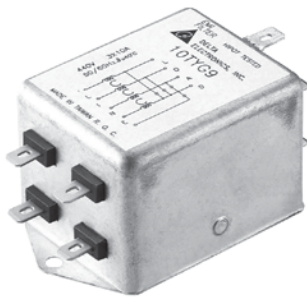
MINIMUM INSERTION LOSS IN dB

COMMON MODE (L-G) IN 50 OHM SYSTEM							
TYPE	CURRENT RATING	FREQUENCY - MHz					
		.15	.50	1.0	5.0	10	30
10TYG9	10A	10	20	20	20	30	25
20TYS9	20A	10	15	20	20	25	20
DIFFERENTIAL MODE (L-L) IN 50 OHM SYSTEM							
10TYG9	10A	10	20	25	25	30	30
20TYS9	20A	10	15	20	20	25	20

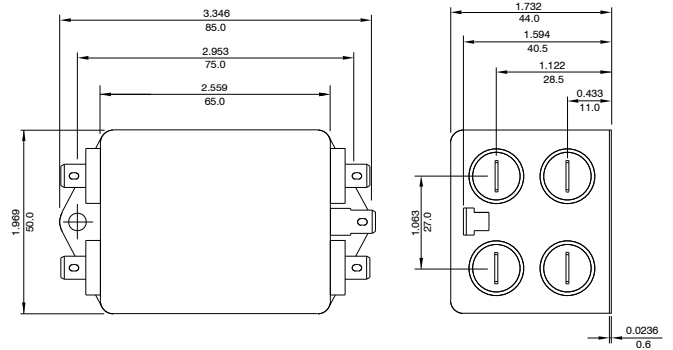
ELECTRICAL SCHEMATIC



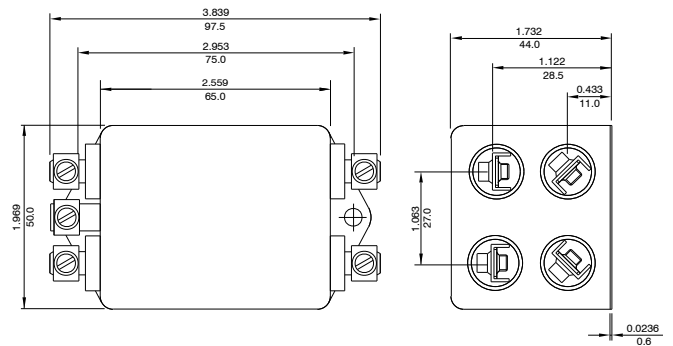
MECHANICAL CONSTRUCTION



10TYG9



20TYS9



UNIT: INCH
mm

TYS SERIES 3-PHASE, 4-WIRE FILTERS

COMPONENTS

PART NO.	C1 (uF)	C2 (uF)	Lg (uH)	L (mH)	R (KΩ)
20TYS10	2.0	1.0	78	3.2	110
• 30TYS10			52	1.6	
60TYS10			52	0.32	

• UL, CSA & TUV approved C3: 3300pF C4: 14700pF

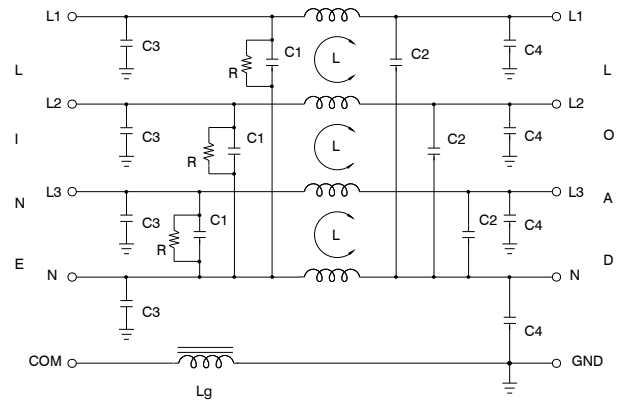
INTRODUCTIONS

1. Applications: Electric equipment, UPS, machine tool, copy machine, automation equipment, robot, AC motor drive
2. Voltage rating: 440VAC
3. Operating frequency: 50/60Hz

MINIMUM INSERTION LOSS IN dB

COMMON MODE (L-G) IN 50 OHM SYSTEM							
TYPE	CURRENT RATING	FREQUENCY- MHz					
		.15	.50	1.0	5.0	10	30
20TYS10	20A	25	40	35	30	30	30
30TYS10	30A	25	40	40	45	45	35
60TYS10	60A	15	30	30	30	30	30
DIFFERENTIAL MODE (L-L) IN 50 OHM SYSTEM							
20TYS10	20A	35	35	35	30	30	30
30TYS10	30A	40	55	55	45	45	40
60TYS10	60A	18	45	45	35	35	30

ELECTRICAL SCHEMATIC

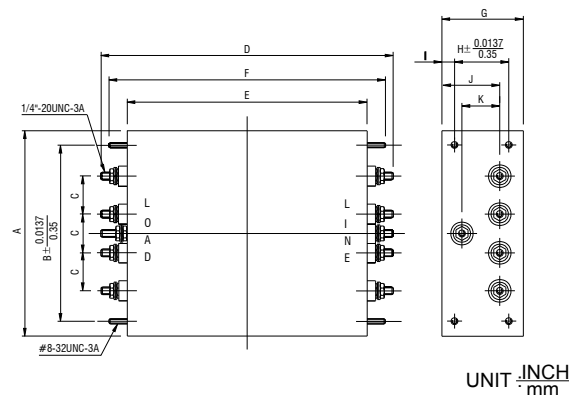
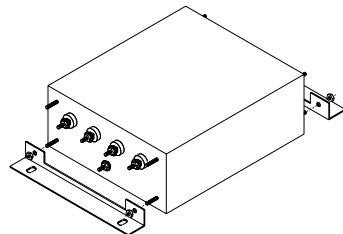
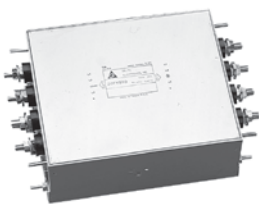


SERIES DIMENSIONS

DIM. TYPE	A	B	C	D	E	F	G	H	I	J	K
20TYS10	5.59	4.606	0.98	8.85	6.57	7.75	2.55	1.496	0.51	181	0.88
	142.0	117.0	25.0	225.0	167.0	197.0	65.0	38.0	13.0	46.0	22.4
30TYS10	5.59	4.606	0.98	8.85	6.57	7.75	2.55	1.496	0.51	1.81	0.88
	142.0	117.0	25.0	225.0	167.0	197.0	65.0	38.0	13.0	46.0	22.4
60TYS10	5.59	4.606	0.98	8.85	6.57	7.75	2.55	1.496	0.51	1.81	0.88

MECHANICAL CONSTRUCTION

Optional mounting Flange:



THREE-PHASE FILTERS

TYT SERIES HIGH PERFORMANCE 3-PHASE, 4-WIRE FILTERS

COMPONENTS

PART NO.	Cx (uF)	Cx1 (uF)	Cy (nF)	L (mH)	R (K Ω)
16TYT2	0.68	1	15	1.2	220
25TYT2	2	2		1.3	100
36TYT2				0.95	
50TYT2				0.55	
100TYS10			47	0.32	

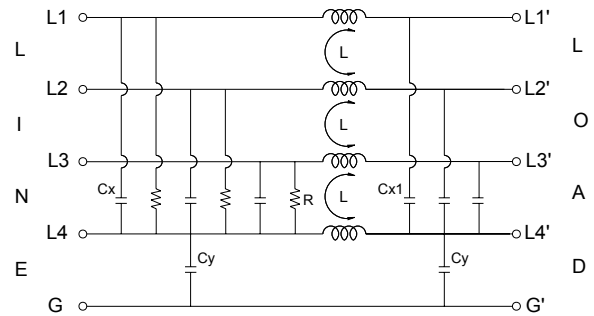
INTRODUCTIONS

1. Applications: Electric equipment, UPS, machine tool, copy machine, automation equipment, robot, AC motor drive
2. Voltage rating: 480VAC
3. Operating frequency: 50/60Hz

MINIMUM INSERTION LOSS IN dB

COMMON MODE (L-G) IN 50 OHM SYSTEM						
PART NO.	FREQUENCY-MHz					
	.15	.50	1.0	5.0	10	30
16TYT2	25	50	50	50	45	30
25TYT2	25	50	50	50	45	30
36TYT2	25	50	50	50	40	25
50TYT2	25	45	45	40	40	25
100TYS10	10	20	25	30	30	20
DIFFERENTIAL MODE (L-L) IN 50 OHM SYSTEM						
16TYT2	35	55	60	60	40	30
25TYT2	35	55	60	60	40	30
36TYT2	30	50	55	50	40	30
50TYT2	30	50	50	40	40	30
100TYS10	30	40	40	35	35	25

ELECTRICAL SCHEMATIC

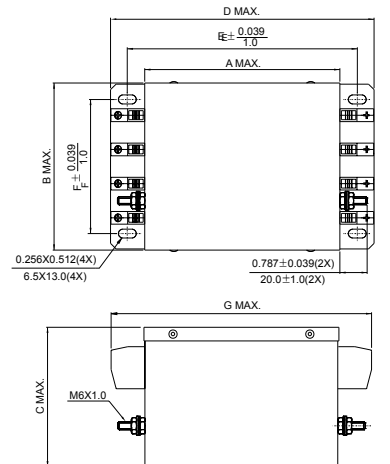


SERIES DIMENSIONS

PART NO.	DIMENSIONS IN INCHES/mm						
	A	B	C	D	E	F	G
16TYT2							
25TYT2	5.591 142.0	4.213 107.0	3.228 82.0	7.539 191.5	6.516 165.5	196.9 50.0	7.559 192.0
36TYT2							
50TYT2	5.689 144.5	4.882 124.0	4.094 104.0	7.638 194.0	6.614 168.0	3.858 98.0	7.638 194.0
*100TYS10	8.346 212.0	6.378 162.0	5.197 132.0	9.921 252.0	9.134 232.0	4.724 120.0	11.496 292.0

* Screw type

MECHANICAL CONSTRUCTION



UNIT: $\frac{\text{INCH}}{\text{mm}}$