

GE SERIES HIGH PERFORMANCE IEC CONNECTOR FILTERS

INTRODUCTIONS

1. A high performance general purpose filter with an IEC connector providing effective EMI suppression.
2. Bleeder resistor can be added with suffix "-R" on part numbers, except "G3H", "G3V", "W3V", "G3J", "W3J", types.
3. All part numbers are UL recongnized, CAS certified and VDE approved.
4. With optional Y-Cap from 100pF to 3300pF.

COMPONENTS

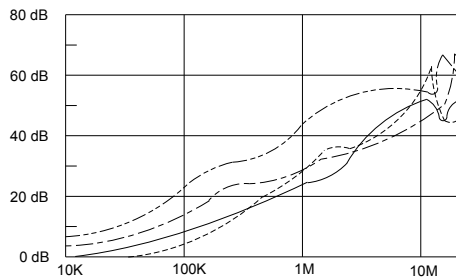
PART NO.	Cx (uF)	L (mH)	Cy (pF)	R (Ω)
01GEEG3E/W3E/-R	0.1	6.5	2200	1M
01GEEG3H/G3V/W3V		3	3300	-
01GEEG3S/-R		10.5	-	-
03GEEG3E/W3E/W3ES/-R		2.5	2200	1M
*03GEEW3ES/-R				
03GEEG3H/G3V/W3V		4	3300	-
03GEEG3S/-R				
*03GEEG3Q/W3Q/-R		2.4	2200	1M
03GEEW3J				
03GEHG3J		0.8	3300	-
06GEEG3E/W3E/W3ES/-R				
06GEEG3H/G3V/W3V		1.05	-	-
06GEEG3S/-R				
**06GEEG3Q/W3Q/-R		0.2	2200	1M
***10GEEG3C/W3C/-R				
10GEEG3E/W3E/W3ES/-R		0.3	-	-
10GEEG3S/-R				
*10GEEG3Q/W3Q/-R		0.2	-	-
**15GEEG3E/W3E/-R				
***20GEEG3E/W3E/-R		0.3	-	-

• UL, CSA approved to 4A 115/250V
 ** UL, CSA approved to 8A 115/250V
 *** VDE approved to 8A/250V

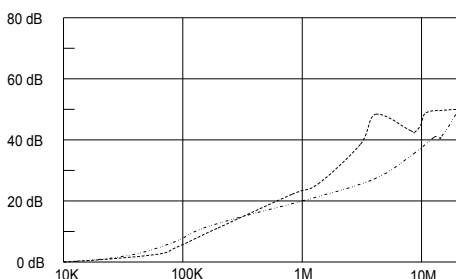
* UL, CSA approved to 13A 115/250V
 ** VDE approved to 10A/250V
 *** VDE approved to 16A/250V

INSERTION LOSS (TYPICAL)

03GEEG3E ----- COMMON MODE ----- DIFF. MODE
 06GEEG3E ----- COMMON MODE ----- DIFF. MODE



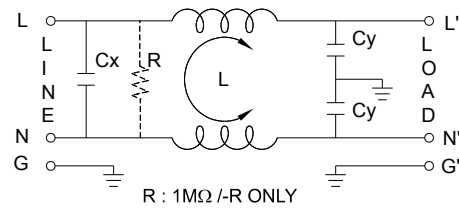
20GEEG3E ----- COMMON MODE ----- DIFF. MODE



SPECIFICATIONS

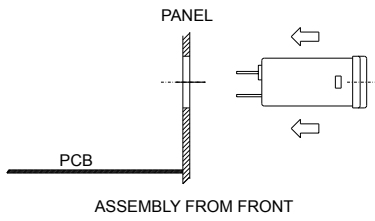
1. Maximum leakage current each line-to-ground @ 115VAC 60Hz: 0.25mA @ 250VAC 50Hz: 0.45mA
2. Hipot rating (one minute) line-to-ground: 2250VDC line-to-line: 1450VDC
3. Operating frequency: 50/60Hz
4. Rated voltage: 115/250VAC

ELECTRICAL SCHEMATIC



MINIMUM INSERTION LOSS IN dB

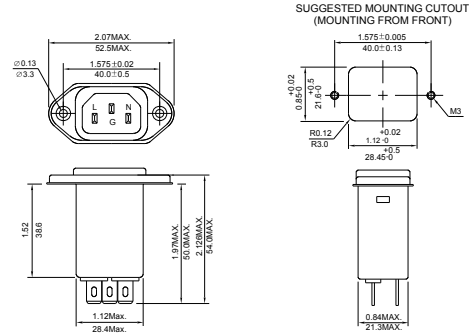
CURRENT RATING	COMMON MODE (L-G) IN 50 OHM SYSTEM					
	FREQUENCY-MHz					
	.15	.50	1.0	5.0	10	30
1A(E)(S)	28	35	38	38	40	40
1A(H)	26	36	44	54	55	55
1A(G3V)	20	30	35	40	40	40
1A(W3V)	24	35	42	50	55	55
3A(E)(S)(Q)	20	25	30	38	40	40
3A(H)	24	30	38	50	55	55
3A(G3J,W3J)	20	25	30	38	40	40
3A(G3V)(W3V)	20	29	36	48	46	50
6A(E)(S)	12	18	24	35	40	40
6A(H)	15	25	32	45	50	50
6A(Q)	15	20	20	35	40	55
6A(G3V)(W3V)	14	23	30	42	35	40
10A(E)(S)	4	10	13	28	35	40
10A(C)	10	15	15	25	30	35
10A(Q)	10	12	15	30	32	45
15A(E)	4	10	13	28	35	40
20A	8	10	15	25	30	35



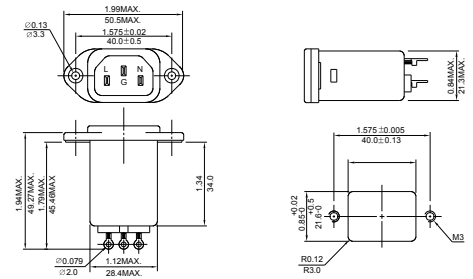
MECHANICAL CONSTRUCTION



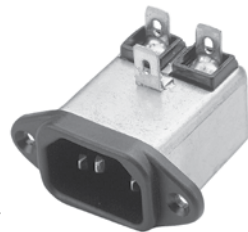
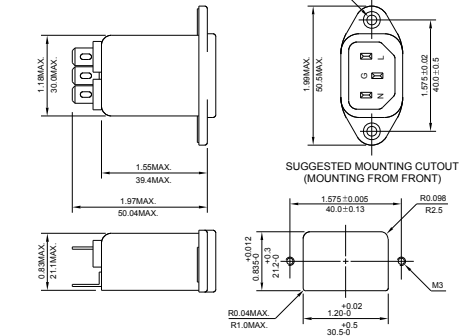
EG3E, EG3Q (Optional soldering lug or wire type)



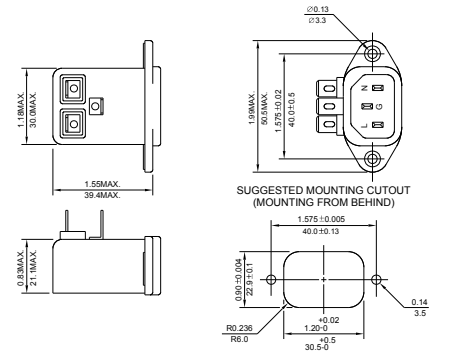
EG3S



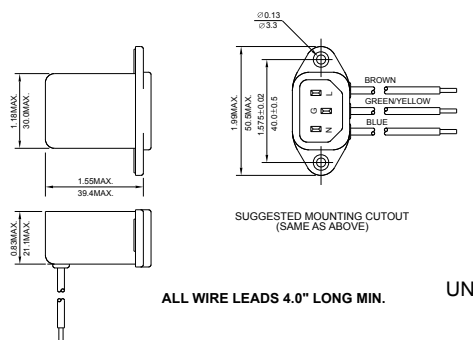
EG3H



EG3V

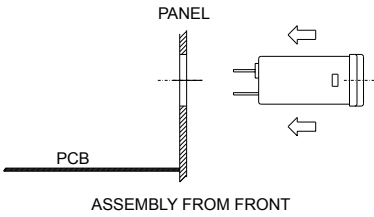


EW3V



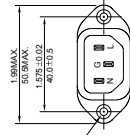
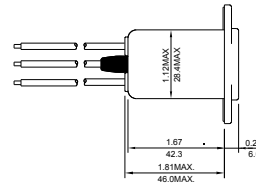
ALL WIRE LEADS 4.0" LONG MIN.

UNIT: $\frac{\text{INCH}}{\text{mm}}$

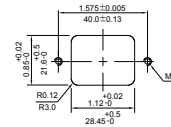
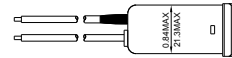


MECHANICAL CONSTRUCTION

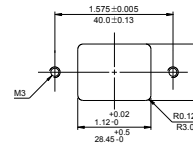
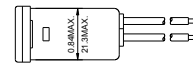
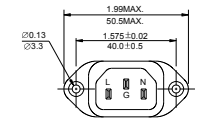
EW3J



SUGGESTED MOUNTING CUTOUT
(MOUNTING FROM FRONT)

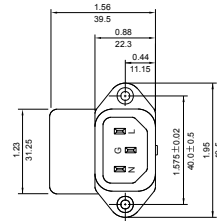
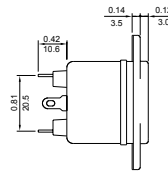


EW3ES

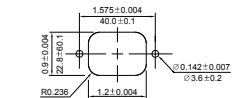
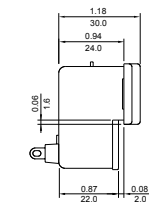


SUGGESTED MOUNTING CUTOUT.

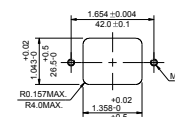
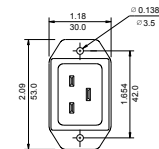
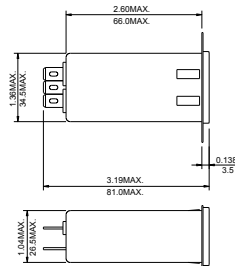
HG3J



SUGGESTED MOUNTING CUTOUT
(MOUNTING FROM BEHIND)



20GEEG3E (Optional wire type)



ALL WIRE LEADS 4.0" LONG MIN.

SUGGESTED MOUNTING CUTOUT
(MOUNTING FROM REVERSE)

UNIT: $\frac{\text{INCH}}{\text{mm}}$

IEC INLET FILTERS