

**Product specification for inductive components**



www.epa.de

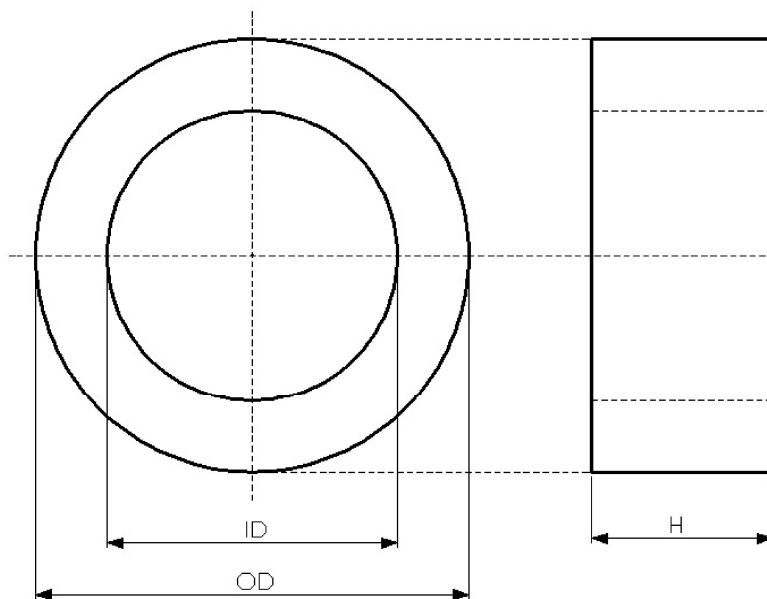
Type: SC73420124-R

**Ansicht - Avis - View**



EPA Article No.:	5S030040
AL-Wert	5050 nH ( $\pm 25\%$ )
Material	Manganese Zinc Ferrite Material
Epoxy	Green

**Abmessungen - Dimensions - Dimensions (mm)**



OD	$\leq 35.6$
ID	$\geq 19.3$
H	$\leq 13.5$

**Zusatzangaben - Informations Supplémentaires - Additional Information**

- Weight: ca. 32 g

Issue 0.1    Created by AJ    Approved by TB    Date 09.05.2017