

Product specification for inductive components



www.epa.de

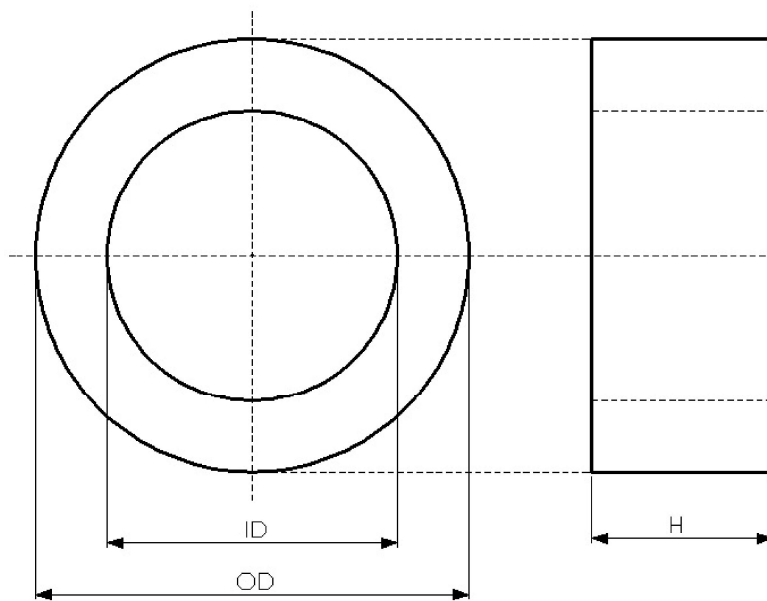
Type: SC3T13100C-R

Ansicht - Avis - View



EPA Article No.:	5S031010
AL-Wert*	11700 nH (+30% / -20%)
Material	Manganese Zinc Ferrite Material
Epoxy	Green

Abmessungen - Dimensions - Dimensions (mm)



OD	≤ 27.15
ID	≥ 13.55
H	≤ 20.90

Zusatzangaben - Informations Supplémentaires - Additional Information

* Test Conditions: 10kHz / 150mV / N=1 / 25°C