

# Product specification for inductive components

Type: SC13080-R



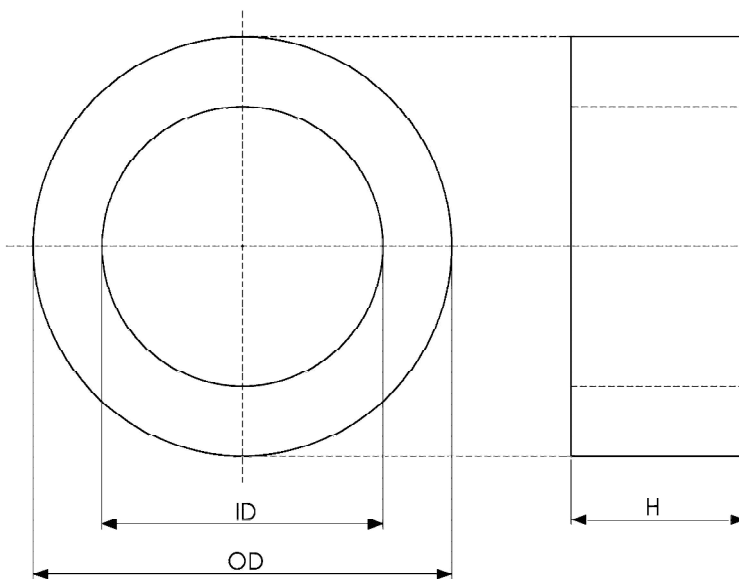
www.epa.de

Ansicht - Avis - View



EPA Artikel-No.	5S031135
Core finishing	Cased
Additional Information	Differential Mode Choke

Abmessungen - Dimensions - Dimensions (mm)



OD	$\leq 165$
ID	$\geq 123$
H	$\leq 34$

SO 4.2.2-02 Rev.4