

Product specification for inductive components



Type: SC13070-R

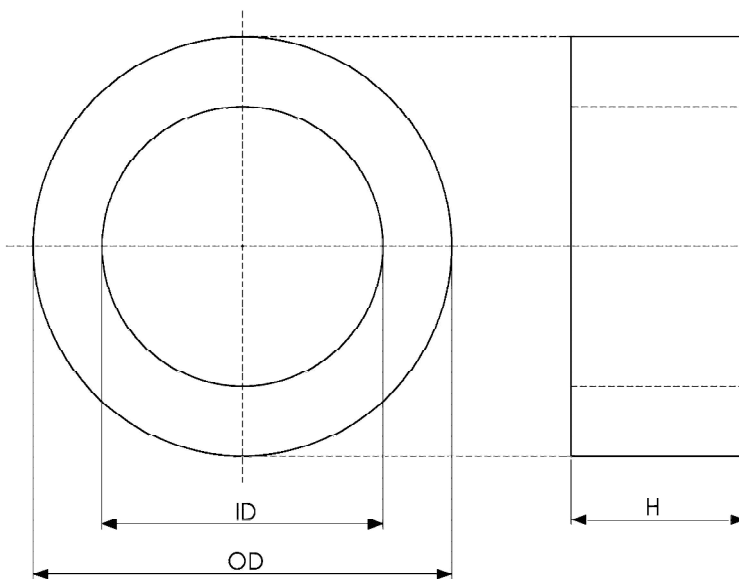
www.epa.de

Ansicht - Avis - View



EPA Artikel-No.	5S031134
Core finishing	Cased
Additional Information	Differential Mode Choke

Abmessungen - Dimensions - Dimensions (mm)



OD	≤ 105
ID	≥ 75
H	≤ 35

SO 4.2.2-02 Rev.4