

Product specification for inductive components



Type: SC11835-R

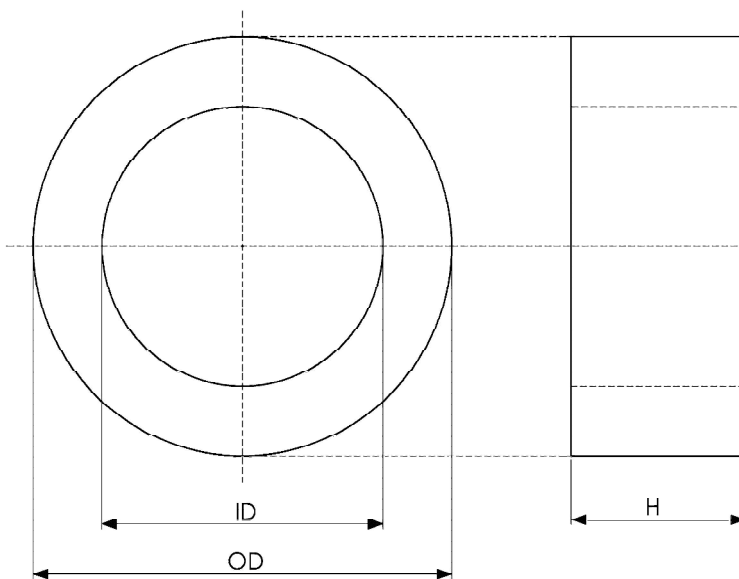
www.epa.de

Ansicht - Avis - View



EPA Artikel-No.	5S030707
Core finishing	Cased
Additional Information	Common Mode Choke

Abmessungen - Dimensions - Dimensions (mm)



OD	≤ 53.4
ID	≥ 36.6
H	≤ 23.5

SO 4.2.2-02 Rev.4