

**Product specification for inductive components**



Type: SC11025-R

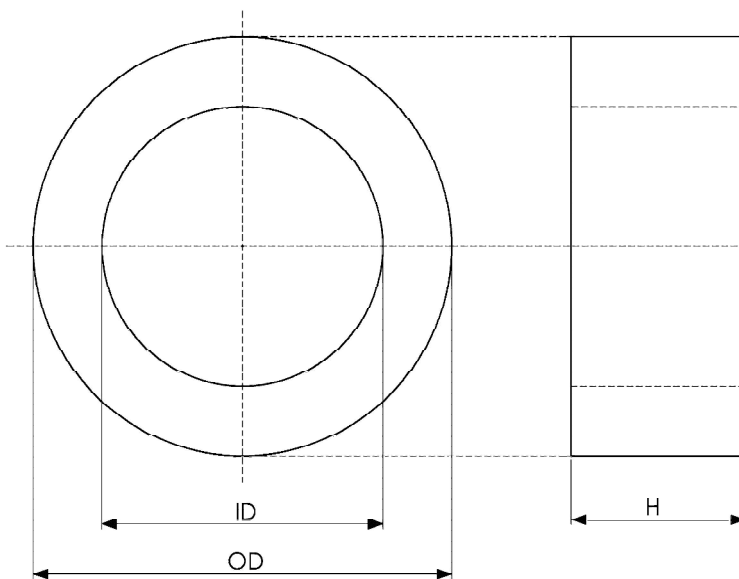
www.epa.de

**Ansicht - Avis - View**



EPA Artikel-No.	5S030782
Core finishing	Cased
Additional Information	Common Mode Choke

**Abmessungen - Dimensions - Dimensions (mm)**



OD	$\leq 305$
ID	$\geq 246.5$
H	$\leq 35$

SO 4.2.2-02 Rev.4