

Product specification for inductive components



Type: SC10585-R

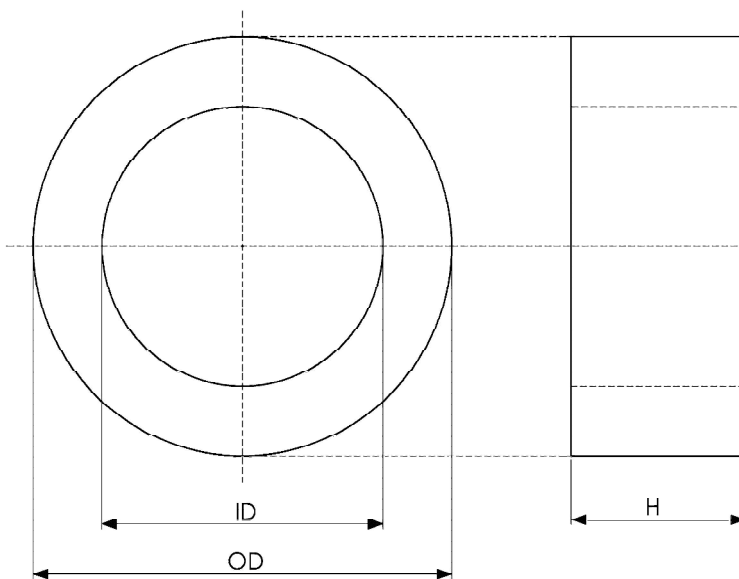
www.epa.de

Ansicht - Avis - View



| | |
|------------------------|-------------------|
| EPA Artikel-No. | 5S031138 |
| Core finishing | Cased |
| Additional Information | Common Mode Choke |

Abmessungen - Dimensions - Dimensions (mm)



| | |
|----|------------|
| OD | ≤ 208 |
| ID | ≥ 166 |
| H | ≤ 37 |

SO 4.2.2-02 Rev.4