

**Product specification for inductive components**

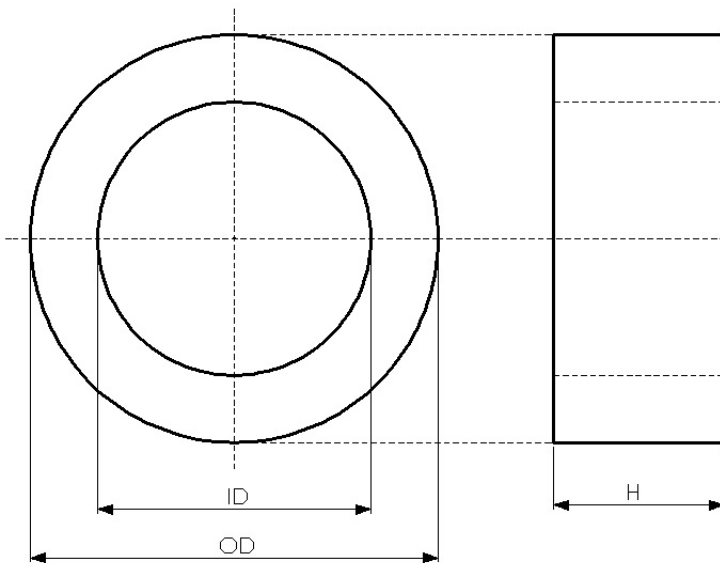


www.epa.de

Type:

Ansicht - Avis - View


Abmessungen - Dimensions - Dimensions (mm)



OD	ID	H

Zusatzinformation - Informations supplémentaires - Additional information


Issue      Created by      Approved by      Date