

Product specification for inductive components

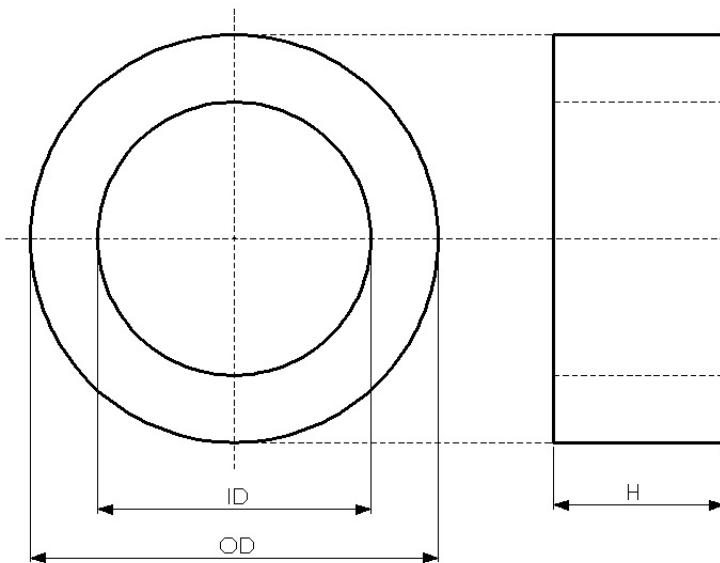


www.epa.de

Type:

Ansicht - Avis - View

Abmessungen - Dimensions - Dimensions (mm)



OD	ID	H

Zusatzinformation - Informations supplémentaires - Additional information

Issue Created by Approved by Date