

**Product specification for inductive components**



Type: SC10510-R

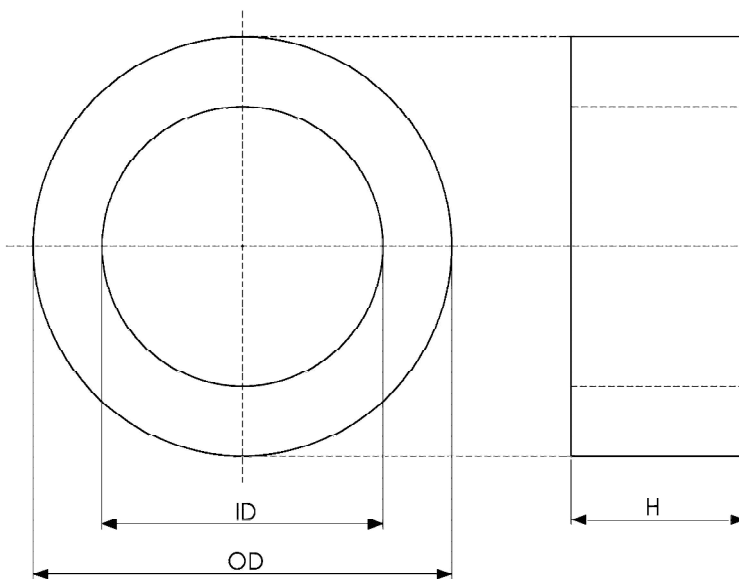
www.epa.de

**Ansicht - Avis - View**



EPA Artikel-No.	5S030699
Core finishing	Cased
Additional Information	Differential Mode Choke

**Abmessungen - Dimensions - Dimensions (mm)**



OD	$\leq 32.9$
ID	$\geq 17.7$
H	$\leq 12.6$

SO 4.2.2-02 Rev.4