

# PT&PY SERIES 3-PHASE P.C.B. FILTERS

## COMPONENTS

PART NO.	Cx1(uF)	Cx2(uF)	Cy(uF)	L(mH)	Z(VDC)	SA(VDC)
30PTW6	0.68	0.22	0.0033	1.0	—	—
30PYT8	0.33		0.0047	0.45	470	3600

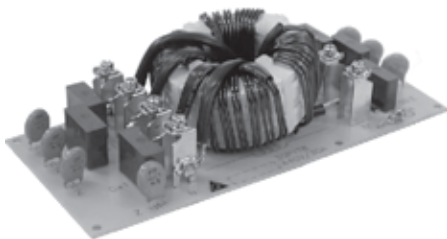
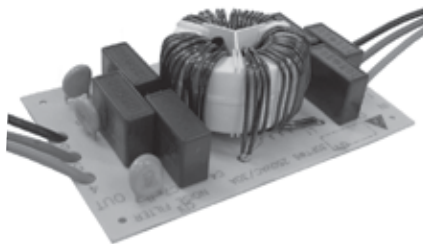
## MINIMUM INSERTION LOSS IN dB

PART NO.	COMMON MODE(L-G)IN 50 OHM SYSTEM							
	FREQUENCY-MHz							
	.05	.10	.15	.20	.50	1.0	5.0	10
30PTW6	/	/	/	20	30	35	35	35
30PYT8	1	5	8	20	25	35	20	8
PART NO.	DIFFERENTIAL MODE(L-L)IN 50 OHM SYSTEM							
30PTW6	/	/	/	15	35	35	35	35
30PYT8	6	10	10	15	45	55	45	25

## SERIES DIMENSIONS

PART NO.	DIMENSIONS IN INCHES/mm					
	A	B	C	D	E	F
30PTW6	5.906 150.0	3.543	5.315 135.0	2.953 75.0	0.126 3.2	—
30PYT8	7.874 200.0	90.0	4.961 126.0	2.559 65.0	3.189 81.0	0.165 4.2

## MECHANICAL CONSTRUCTION

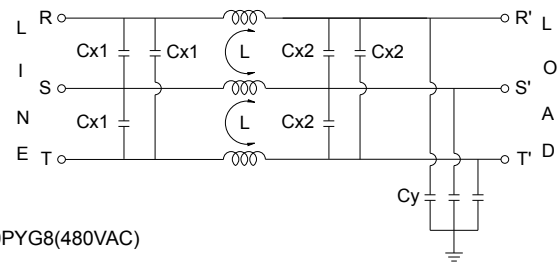


## INTRODUCTIONS

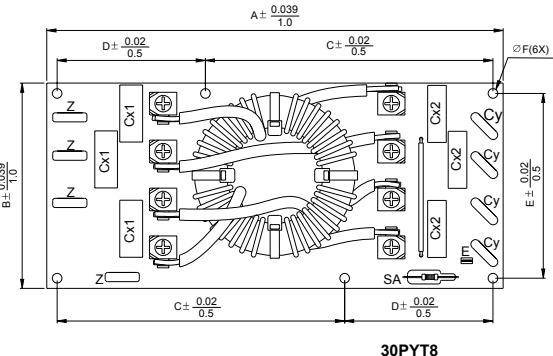
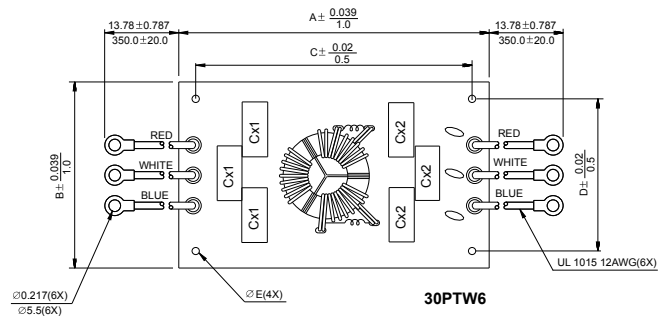
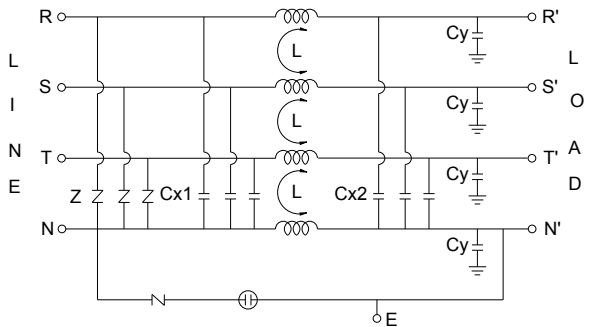
- Applications: Electric equipment, UPS, machine tool, copy machine, automation equipment, robot, AC motor drive
- Voltage rating: 250/480VAC
- Operating frequency: 50/60Hz

## ELECTRICAL SCHEMATIC

30PTW6(250VAC)



30PYG8(480VAC)



THREE-PHASE FILTERS

UNIT: INCH  
mm